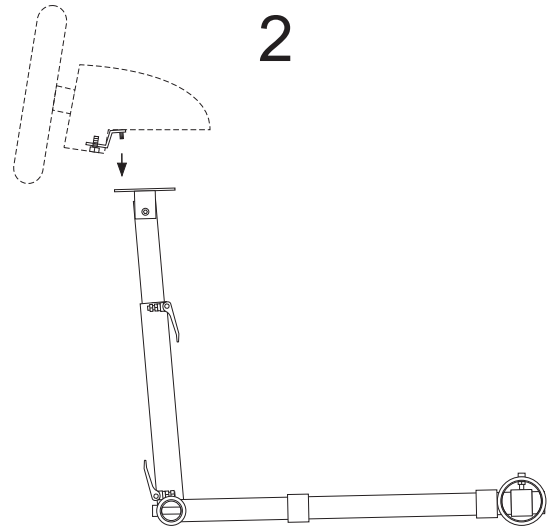
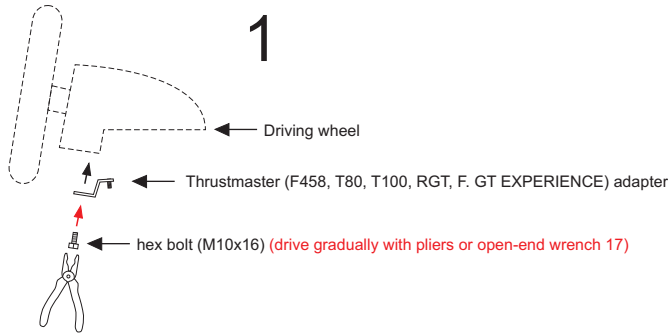
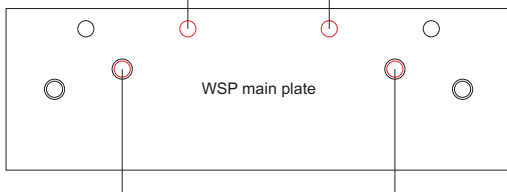


Please visit our YouTube channel for all the **set up videos** at: <http://www.youtube.com/user/wheelstandpro>

**Thrustmaster F458, SPIDER, T80, T100, RGT, F. RED LEGEND set up video**



Thrustmaster (F458, T80, T100, SPIDER, RGT, F. GT EXPERIENCE) adapter holes

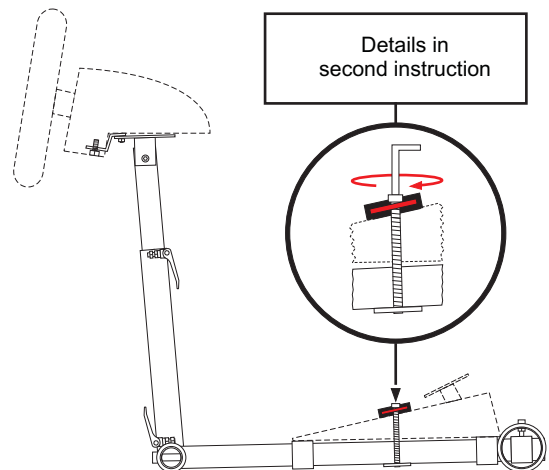
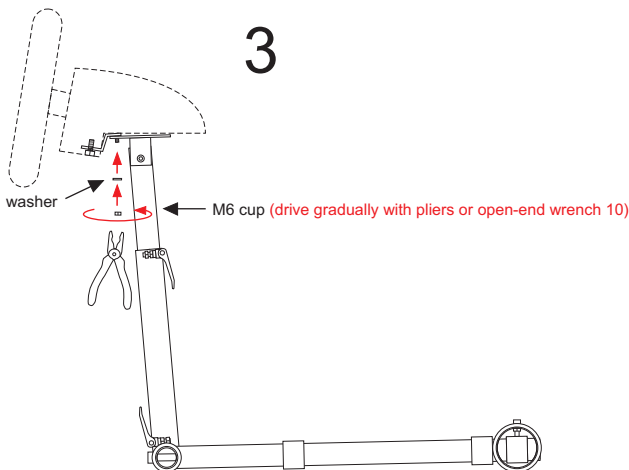


Thrustmaster F430, TX, T300RS mounting holes

Thrustmaster F430, TX, T300RS, wheels are mounted with 2 Allen screws (M6x16) only. Adapter is not necessary.

**Tightening the screws too much can cause damage to the wheel and pedals.**

**Thrustmaster2014/2015 pedals fastening video (standard 2-pedals set)**



**PLEASE ALSO VISIT CONSTRUCTOR'S TIPS:** <http://www.wheelstandpro.com/contips.html>

[www.wheelstandpro.us](http://www.wheelstandpro.us)

Thrustmaster and T300RS are trademarks of Guillemot Corporation S.A. F430 is trademark of Ferrari S.p.A.