



Please visit our YouTube channel for all the **set up videos** at: <http://www.youtube.com/user/wheelstandpro> or scan the QR code



**RGS Module set up video**

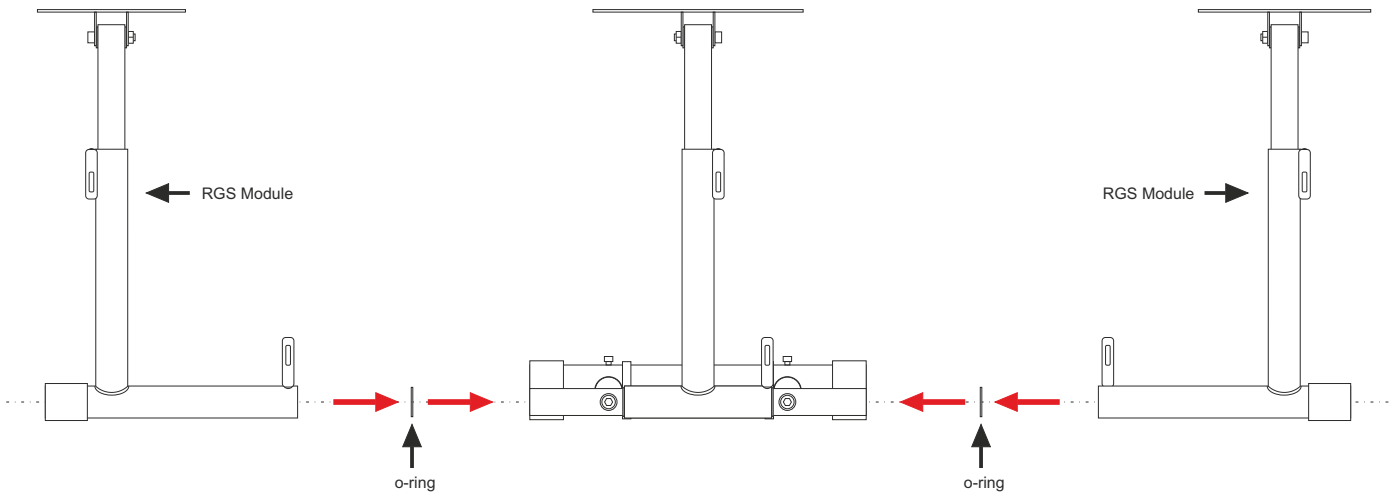


**Quick way to remove the rubber bushing**

Please attach the rubber o-ring to both sides of the Wheel Stand Pro stand.

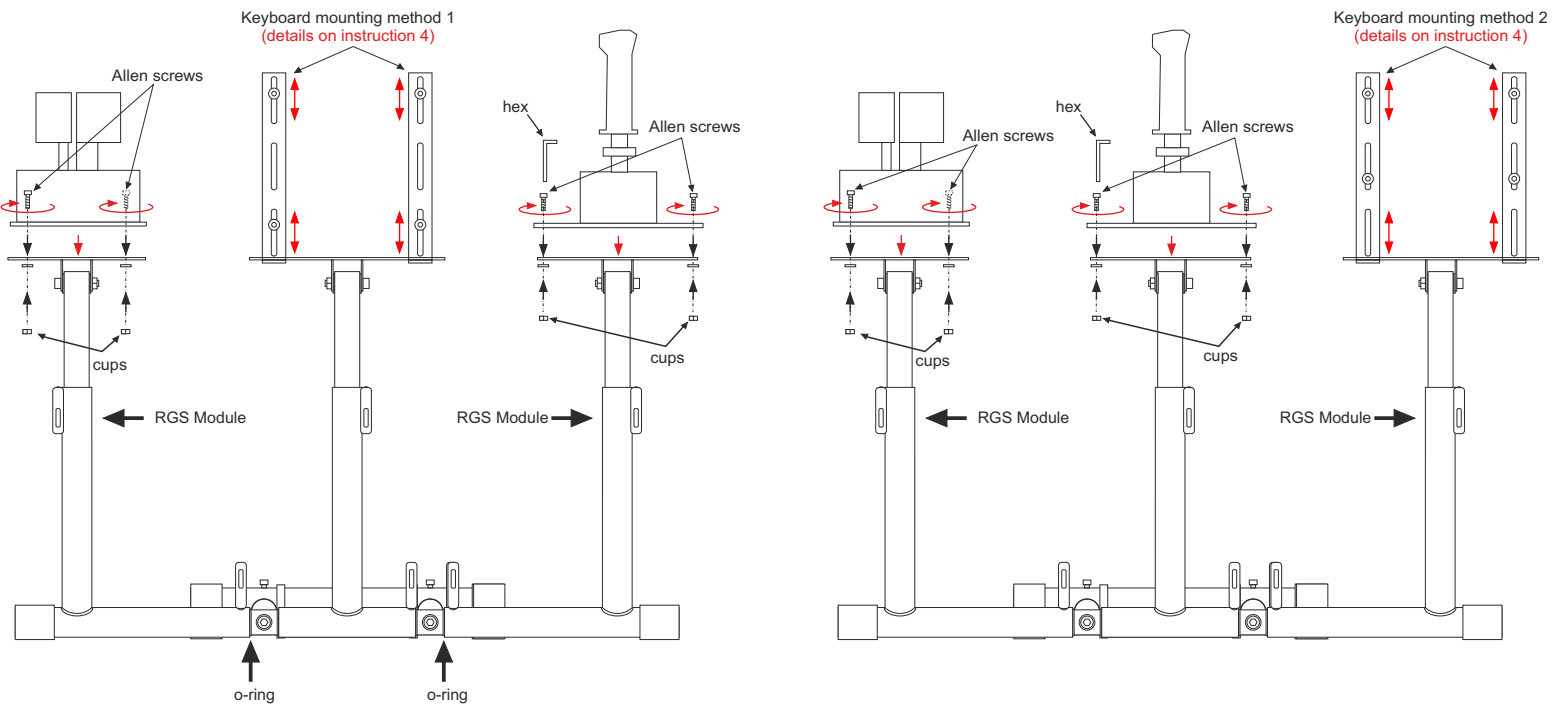
1

Next attach the RGS Modules to both sides of the Wheel Stand Pro stand and tune it  
*Please see set-up video.*



2

Secondly attach the joystick and throttle to the Wheel Stand Pro stand. **Details and set up videos on instruction 3.**



A word of advice: please do not store your stand in one place for longer than a week's time as the anti-slipping rubber bushings may tend to react with some of the floor's varnish which protects it. It may lead to smutting of the floor. It is due to the rubber's natural obsolescence process. Once the stand is not in use for a greater period of time our recommendation is to put some piece of paper, silicone mat or cloth underneath the rubber bushings.

**Tightening the screws too much can cause damage to the joystick, throttle and pedals.**

