

# Maintenance

## Instruction 1

Please see our set up videos  
or visit our YouTube channel: <https://www.youtube.com/user/wheelstandpro>

- Let loose joint before making any adjustment
- Keep this product in a dry environment free of chemical substances or vapour
- Do not over tighten the screws as you may cause damage to the thread or bolt
- Clean with a dry cloth

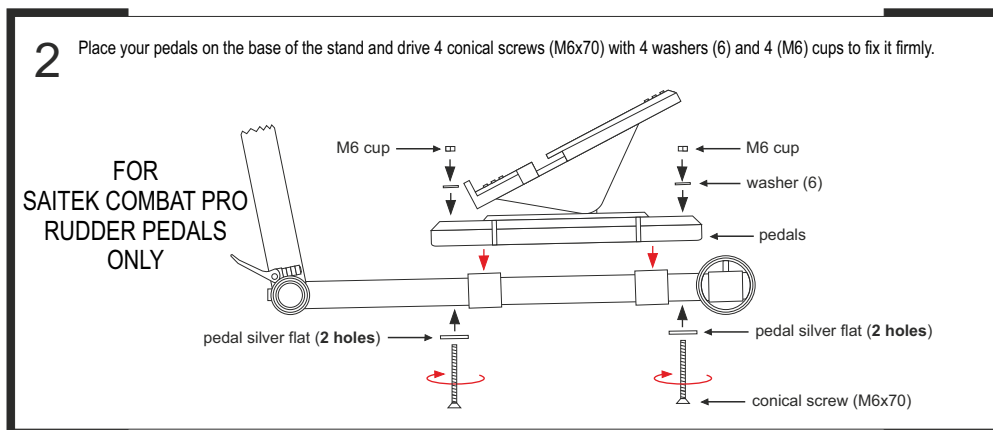
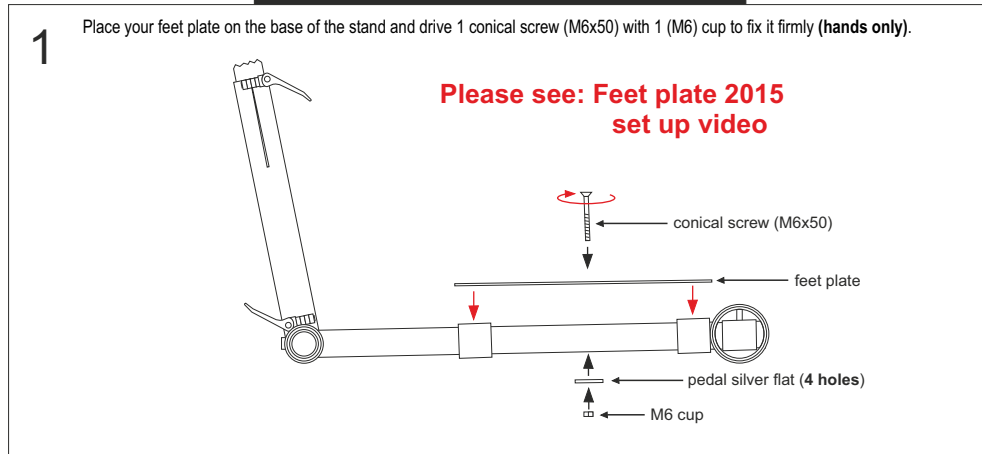
Feet plate 2015  
set up video



MFG  
Crosswind  
set up video



Saitek  
set up video



### In the box:

- 1 wheel stand pro unit, 2 silver pedals flats (2 holes), 1 silver flat (4 holes), 1 hex wrench 4, 1 hex wrench 5, 1 hex wrench 6, 1 open-end wrench 13, 8 Allen screws (M5x16), 8 cups (M5), 4 conical screws (M6x70), 1 conical screw (M6x50), 4 conical screws (M4x55), 4 washers (4), 4 (M4) cups
- 2 Allen screws (5x10), 4 cups (M6), 4 washers (6), 2 bands, 1 instruction, 2 Allen screws (M6x25) for Crosswind mounting, 4 conical screws (M4x25)
- 2 RGS modules with flight sim plates, 2 rubber bushings/feet, 2 keyboard holders, 4 rubber bushings, 4 Allen screws (M6x55), 8 M6 cups.

## Warranty

- Wheel stand pro offers two year warranty from the date of purchase.  
This warranty is available to the original owner by returning this paper.
- Warranty coverage includes all parts and workmanship
  - Warranty is void if damage is due to abuse, neglect or modification
  - Cost associated with the return of this product is the sole responsibility of the owner

In case of any problems with your product please contact us at [order@wheelstandpro.com](mailto:order@wheelstandpro.com)

Tightening the screws too much can cause damage to the joystick, throttle and pedals.